

HIGH OVER PRESSURE SAFETY GAUGE

BOURDON TYPE



BBH



SPECIAL FEATURES

- STAINLESS STEEL CASE & MEASURING SYSTEM
- SOCKET FRONT DESIGN FEATURES Baffle WALL INTERPOSED BETWEEN THE SENSING SYSTEM & THE WINDOW AND PRESSURE RELIEVING BACK FOR INCREASED SAFETY.
- OVER PRESSURE 3 TIMES
- DRY OR LIQUID FILLED
- STAINLESS STEEL BLOW OFF BACK
- STANDARD FOLLOWED IN GENERAL EN 837-1



APPLICATIONS

ESPECIALLY SUITED FOR OCCASIONAL SHORT DURATION OVER PRESSURES OF UP TO 4 TIMES SCALE RANGE. (EXACT VALUES SEE TABLE) SUITABLE FOR CORROSIVE ENVIRONMENTS & GASEOUS OR LIQUID MEDIA THAT WILL NOT OBSTRUCT THE PRESSURE SYSTEM

SPECIFICATIONS

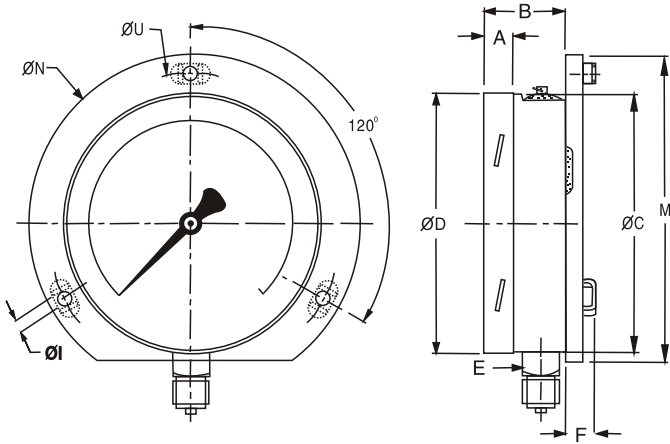
STANDARD VERSION: 100mm

Accuracy	: $\pm 1.0\%$ FOR RANGE SCALE & 3% FOR END SCALE (END SCALE IS COVERED WITH TRIANGLE)
Ambient temperature	: -25°C to $+65^{\circ}\text{C}$
Process temperature	: Max. 300°C
Operating pressure	: 75% of the scale value
Over pressure limit	: Refer Table

Case	: AISI 304 SS
Ring	: AISI 304 SS, Bayonet Type
Bourdon	: AISI 316 SS
Socket	: AISI 316L SS
Movement	: AISI 304 SS
Jointst	: TIG arg on arc welding

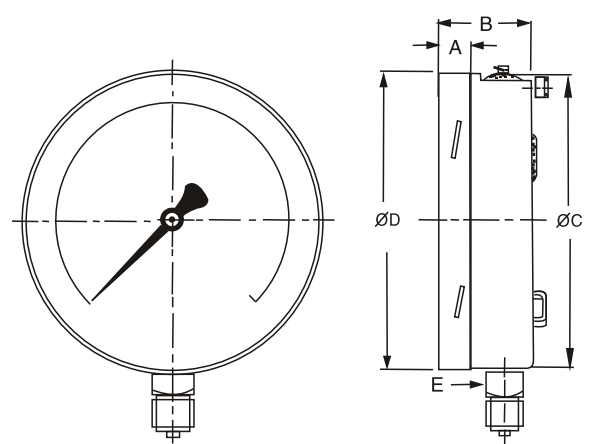
Protection	: IP65
Dial	: Aluminium, black graduation on white background (The scale end is marked by a black triangle)
Pointer	: Aluminium, black coloured, fixed
Window	: Sheetproof/Safety Glass
Blow off Disc	: AISI 304 SS
Gasket	: Neoprene

TYPE1



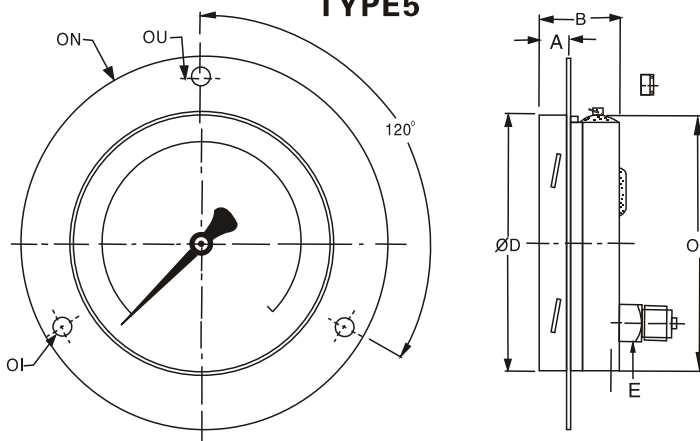
NS	A	B	ØC	ØD	E	F	ØI	ØN	ØU	M	Weight in gram (With Box)
100	17.5	49	99	101	22	15	4.8	132	116	128	645.0
150	17.5	51.5	159	162	22	15	5.8	196	178	188	1280.0

TYPE2



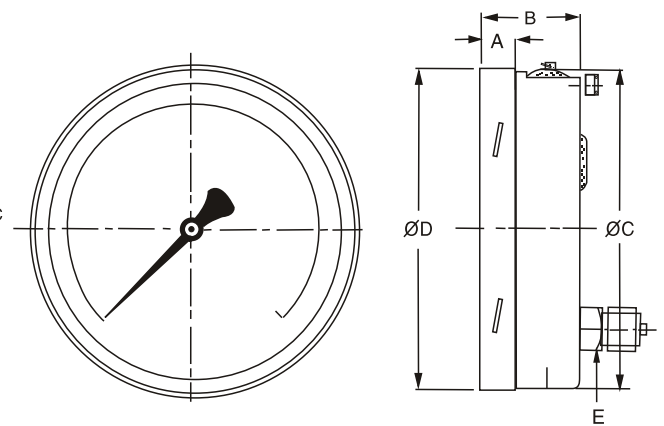
NS	A	B	ØC	ØD	E	Weight in gram (With Box)
100	17.5	49	99	101	22	560.0
150	17.5	51.5	159	162	22	1100.0

TYPE5



NS	A	B	ØC	ØD	E	ØI	ØN	ØU	S	Weight in gram (With Box)
100	17.5	49	99	101	22	4.8	132	116	1	630.0
150	17.5	51.5	159	162	22	5.8	196	178	1	1180.0

TYPE3



NS	A	B	ØC	ØD	E	Weight in gram (With Box)
100	17.5	49	99	101	22	550.0
150	17.5	51.5	159	162	22	1060.0

RANGE TABLE

Note: MIX offers National/International Scales like kPa ,MPa ,bar,psi kg/cm² & Dual Scale like KPa with psi, KPa with bar,bar with psi or Equivalent scales as per the requirement can be provided on request.

Following are the example tables for kg/cm² & psi scales

SCALE & OVER LOAD RANGES

RANGE	OVER LOAD RANGE	RANGE	OVER LOAD RANGE
0/0.6	2.5	0/6	0/25
0/1	4	0/10	0/40
0/1.6	6	0/16	0/65
0/2.5	10	0/25	0/100
0/4	16	0/40	0/160

HOW TO ORDER

BASIC MODEL

CODE

D

NOMINAL SIZE(mm)

100mm

BBH

D

TYPE OF MOUNTING

A4 WALL/SURFACE/PROJECTION MOUNTING WITH BOTTOM ENTRY

A1 DIRECT BOTTOM ENTRY

A1

GAUGE CONNECTION

B9 3/8"BSP(M)STANDARD

B12 3/8"NPT(M)

B10 1/2"NPT(M)STANDARD

B13 1/2"BSP(M)STANDARD

B13 1/4"NPT(M)

B6 1/4"BSPT(M)

B11 1/2"BSPT(M)

B14 1/2"BSPT(M)

Note:Connections like PT/PF/Flairde /UNF/G/R eac.can be orivuded on request.

Non standard connections can be provided through adaptors.

B9

RANGE

REFER TABLES

0-10
kg/cm²

OPTIONS

FOR NON STANDARD PRODUCTS/OPTIONAL ITEMS, PLEASE CONTACT FACTORY FOR DELIVERY AND MINMUM QUANTITY OF ORDER.

C28 MONEL BOURDON & SQCKET(MONEL VERSION)

C12 AISI 316 SS CASE & BEZEL

C1 FIVE POINTER CALIBRATION CERTIFICATE

C13 CUSTOM DESIGNED DIAL

C13 TOUGHENED GLASS

C7 OXYGEN SERVICES(WITHOUT OPTION DAMPENING LIQUID)

C35 DIAL TAG MARKING

C20 HELIUM LEAK TEST.

C46 TESTED TO NACE STANDARDS

C2 DAMPENING SCREW IN AISI 316SS

C31 MOVEMENT WITH DAMPENING JELLY

C9 SS TAG PLATE

C4 DAMPENING LIQUID GLYCERINE FILLED

C11 FOILLABLE LIQUID GLYCERING

C20

Ordering Example:

BBH-D-A1-B9-0/10kg/cm²-C20

Note:● Due to continuous improvement,th~specification may vary from time to time.