

# ALL SS PRESSURE GAUGE

Inductive Contact Pressure Gauges

BBI-A



## SPECIAL FEATURES

- STAINLESS STEEL CASE & MEASURING SYSTEM
- TWO PIECE CONSTRUCTION
- DRY OR LIQUID FILLED
- STANDARD FOLLOWED IN GENERAL EN 837-1

## APPLICATIONS

SUITABLE TO CONTROL THE ELECTRICAL OPERATION OF COMPRESSORS, PUMPS, PRESSES, HYDRAULIC & PNEUMATIC EQUIPMENTS, CHEMICALS & PETROCHEMICAL PLANTS.



## SPECIFICATIONS

**STANDARD VERSION: 100mm, 150mm**

Accuracy	: ±1.0% Of F.S.
Ambient temperature	: -20°C to +60°C
Process temperature	: Max. 3000°C
Electric Wiring	: Junction Box
Contact Setting	: Over on arc of 270° through a knob placed on front of lens
Operating pressure	: 75% of the Scale Value
Over pressure limit	: Not Suitable

Case	: AISI 304 SS
Ring	: AISI 304 SS, Bayonet Type
Bourdon	: AISI 316 SS
Socket	: AISI 316 SS (Directly Welded to Case)
Movement	: AISI 304 SS
Joints	: TIG argon arc welding

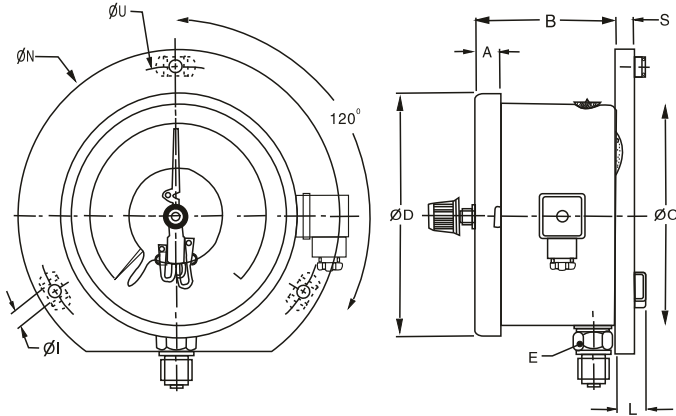
Protection	: IP65
Dial	: Aluminium, black graduation on white background
Pointer	: Aluminium, black coloured, fixed
Window	: Shatterproof/Safety Glass
Contact	: Inductive contact
Blow off Disc	: Neoprene
Filling Plug	: Neoprene

## DRY BUT FILLABLE VERSION

Option Code	: <b>Fillable Dampening Liquid</b>
	: <b>Fillable Dielectric Oil</b>

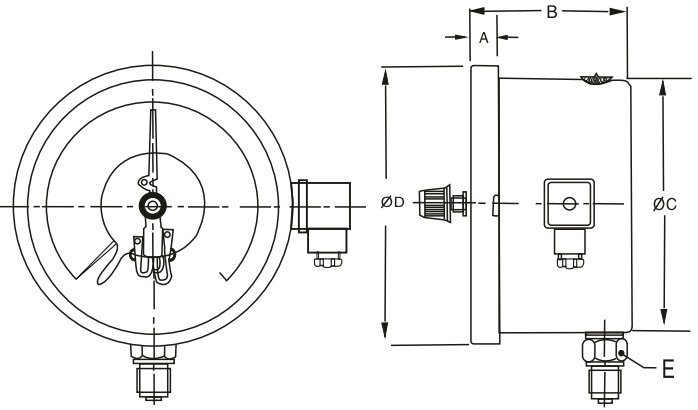
## DIMENSIONS-STANDARD VERSION

### TYPE1



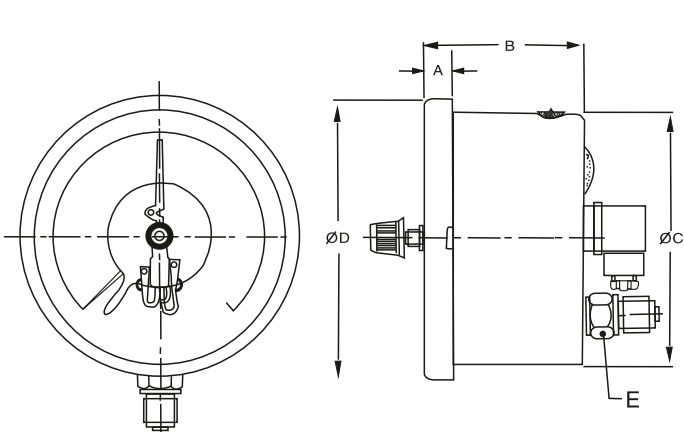
NS	A	B	ØC	ØD	E	ØI	ØN	ØU	L	S	Weight in gram (With Box)
100	12.5	89	100	110	A/F22	6	134	118	15	6	1050.06
150	15	90	149	161	A/F22	6	186	169	15	6	1400

### TYPE2



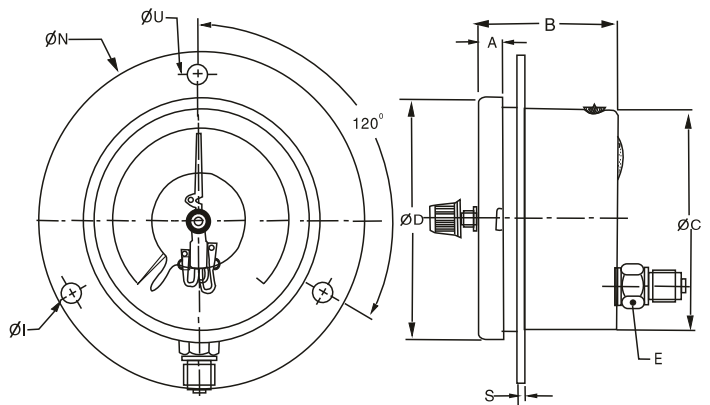
NS	A	B	ØC	ØD	E	Weight in gram (With Box)
100	12.5	89	100	110	A/F22	980.0
150	15	90	149	161	AF/22	1351

### TYPE3



NS	A	B	ØC	ØD	E	Weight in gram (With Box)
100	12.5	89	100	110	A/F22	970.0
150	15	90	149	161	AF/22	1150

### TYPE4



NS	A	B	ØC	ØD	E	ØI	ØN	ØU	Weight in gram (With Box)
100	12.5	89	100	110	A/F22	6	134	118	1050.06
150	15	90	149	161	A/F22	6	186	168	1400

## RANGE TABLE

**Note:** MIX offers National/International Scales like kPa, MPa, bar, psi, kg/cm<sup>2</sup>, mbar, mmWC, inWC & Dual Scale like kPa with psi, kPa with bar, bar with psi or Equivalent scales as per the requirement can be provided on request.

Following are the example tables for kg/cm<sup>2</sup> & psi scales

## PRESSURE

SINGLE SCALE ( kg/cm <sup>2</sup> or bar)					
RANGE	RANGE	RANGE	RANGE	RANGE	RANGE
0/1.6	0/10	0/60	0/400	0/1000	0/1000
0/2.5	0/16	0/100	0/600	0/1400	0/1400
0/4	0/25	0/160		0/1600	0/1600
0/6	0/40	0/250			
DUAL SCALE PSI with kg/cm <sup>2</sup> or PSI with bar					
RANGE(PSI)	RANGE(kg/cm <sup>2</sup> )	RANGE(PSI)	RANGE(kg/cm <sup>2</sup> )	RANGE(PSI)	RANGE(kg/cm <sup>2</sup> )
0/25	0/1.6	0/400	0/28	0/4000	0/280
0/35	0/2.5	0/500	0/35	0/5000	0/350
0/60	0/4	0/600	0/40	0/6000	0/400
0/100	0/7	0/1000	0/70	0/10000	0/700
0/150	0/10	0/1500	0/100	0/15000	0/1000
0/200	0/14	0/2000	0/140	0/20000	0/1400
0/300	0/20	0/3000	0/200	0/20000	0/1600

\*Note: For ranges above 1600 kg/cm<sup>2</sup>, please consult the factory.

## VACUUM & COMPOUND

DUAL SCALE ( inHg with PSI & mmHg with kg/cm <sup>2</sup> )					
RANGE inHg with PSI	RANGE mmHg with kg/cm <sup>2</sup>	RANGE inHg with PSI	RANGE mmHg with kg/cm <sup>2</sup>	RANGE inHg with PSI	RANGE mmHg with kg/cm <sup>2</sup>
-30/15	-760/1	-30/1000	-760/6	-30/300	-760/20
-30/30	-760/2	-30/150	-760/9		
-30/0	-760/3	-30/200	-760/15		
SINGLE SCALE(kg/cm <sup>2</sup> )					
RANGE	RANGE	RANGE	RANGE	RANGE	RANGE
-1/0.6	-1/3	-1/9	-1/24		
-1/1.5	-1/5	-1/15			

## ACCESSORIES †

EC GAUGE COCK	* SNUBBER	DX DIAPHRAGM SEAL
ED GAUGE SAVER	EH SIPHON	

†Refer Datasheet for complete specifications

\*Refer catalogue for Valves & Manifolds

## HOW TO ORDER

### BASIC MODEL

BBI-A

#### CODE

D

E

D

#### NOMINAL SIZE

100mm

150mm

### TYPE OF MOUNTING

A4 WALL/SURFACE/PROJECTION MOUNTING WITH BOTTOM ENTRY

A1 DIRECT BOTTOM ENTRY

A5 DIRECT LOWER BACK ENTRY

A6 FLUSH PANEL BACK ENTRY WITH FRONT FLANGE

A3 BACK ENTRY WITH MOUNTING BRACKET

A4

### GAUGE CONNECTION

B16 1/4"BSP(M)

B12 3/8"NPT(M)

B15 1/2"BSPT(M)

B9 3/8"BSP(M)STANDARD

B13 1/2"BSP(M)STANDARD

B17 M12\*1(M)STANDARD

B10 1/2"NPT(M)STANDARD

B6 1/4"BSPT(M)

B18 M16\*1.5(M)

B11 1/4"NPT(M)

B14 3/8"BSPT(U)

B19 M20\*1.5(M)

B16

Note: Connections like PT/PF/Flairde /UNF/G/R eac.can be orivuded on request.

Non standard connections can be provided through adaptors.

### RANGE

REFER TABLES

0-10  
kg/cm<sup>2</sup>

### OPTIONS

FOR NON STANDARD PRODUCTS/OPTIONAL ITEMS, PLEASE CONTACT FACTORY FOR DELIVERY AND MINMUM QUANTITY OF ORDER.

C28 MONEL BOURDON &amp; SQCKET(MONEL VERSION)

C46 TESTED TO NACE STANDARDS

C12 AISI 316 SS CASE &amp; BEZEL

C3 CUSTOM DESIGNED DIAL

C1 FIVE POINTER CALIBRATION CERTIFICATE

C2 DAMPENING SCREW IN AISI 316 SS

C48 FOLLABLE LIQUID DIEL ECTRIC LIL

C36 INTERNAL OVERPRESSURE STOP

C9 SS TAG PLATE

C37 INTERNAL VACUUM STOP

C35 DIAL TAG MARKING

Accuracy

C40 CASE WITH BALL BURNINSHING FINISH

C20 HELIUM LEAK TEST

C41 CASE WITH BUFFING FINISH

C30 PLEXI/ACRYLIC GLASS

### ELECTRIC CONTACTS

INDUCTIVE CONTACT ACTION TYPE(230VAC,IAmp.)  
(48V DC ,0.5 Amp.)

B),INDUCTIVE TYPE(230VAC,0.4 Amp.)

D1 Single;NORMALLY CLOSED

D10 Single;NORMALLY OPEN

D2 Double;NORMALLY CLOSED+NORMALLY OPEN

D11 Single;NORMALLY CLOSED

D3 Single;NORMALLY OPEN

D12 Double;NORMALLY CLOSED+NORMALLY OPEN

D4 Double;NORMALLY OPEN+NORMALLY CLOSED

D13 Double;NORMALLY OPEN

D5 Double;NORMALLY CLOSED

D14 Double;NORMALLY CLOSED

D6 Double;NORMALLY OPEN

D15 Double;NORMALLY CLOSED+NORMALLY CLOSED

D7 BOOSTER FOR CURRENT UPT05Amp.

D8 SPDT

D9 DPDT

### Ordering Example:

**BBI-A-D-A4-B16-0/10kg/cm<sup>2</sup>-C28**

Note: • Due to continuous improvement,th~specification may vary from time to time.