

# ALL SS PRESSURE GAUGE

ELECTRIC CONTACT TYPE

BBI-B



## SPECIAL FEATURES

- STAINLESS STEEL CASE & MEASURING SYSTEM
- SOCKET & CASE WELDED
- DRY OR LIQUID FILLED
- STANDARD FOLLOWED IN GENERAL EN 837-1

## APPLICATIONS

FOOD & BEVERAGE, PHARMACEUTICAL, CRYOGENICS, CHEMICAL & PETROCHEMICAL INDUSTRIES, CONVENTIONAL & NUCLEAR POWER PLANTS, PUMPS, HYDRO-CLEANING MACHINES, PRESSES, ENGINE COMPRESSORS, TURBINES, DIESEL ENGINES & REFRIGERATING PLANTS.



## SPECIFICATIONS

### STANDARD VERSION: 100mm, 150mm

Accuracy	: $\pm 1.0\%$ Of F.S.
Ambient temperature	: $-20^{\circ}\text{C}$ to $+60^{\circ}\text{C}$
Process temperature	: Max. $3000^{\circ}\text{C}$
Electric Wiring	: Junction Box
Contact Setting	: Over on arc of $270^{\circ}$ through a knob placed on front of lens
Operating pressure	: 75% of the Scale Value
Over pressure limit	: Not Suitable

Case	: AIS I304 SS
Ring	: AIS I304 SS, Bayonet Type
Bourdon	: AIS I316 SS
Socket	: AIS I316 SS (Directly Welded to Case)
Movement	: AISI304 SS
Joints	: TIG argon arc welding

Protection	: IP65
Dial	: Aluminium, black graduation on white background
Pointer	: Aluminium, black coloured, micrometer zero adjustable
Window	: polycarbonate: Dome
Contact	: Silver-Nickel
Blow off Disc	: Neoprene
Gasket	: Neoprene

### FILLED VERSION

Accuracy	: $\pm 1.6\%$ of F.S.
Ambient Temperature	: Maximum $65^{\circ}\text{C}$
Process Temperature	: $+15^{\circ}\text{C}/65^{\circ}\text{C}$
Window	: Acrylic
Dampening liquids	: Dielectric Oil
Other Features	: Refer Specification of Standard Version

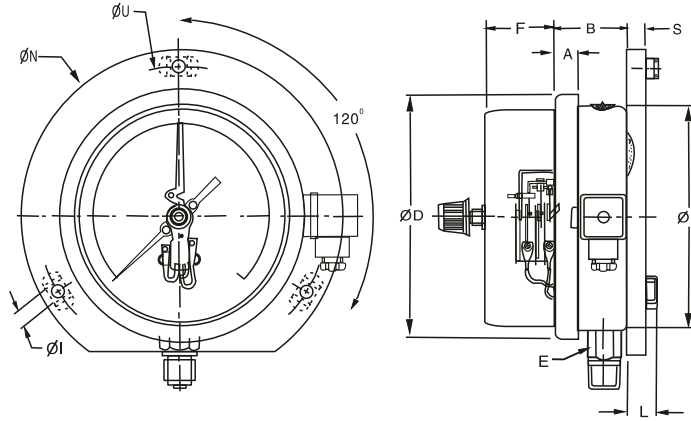
### DRY BUT FILLABLE VERSION

Option Code	: <b>Fillable Dampening Liquid</b>
	: Fillable Dielectric Oil

Note: BOD, vent plug & sealing ring material will be VITON. NBR

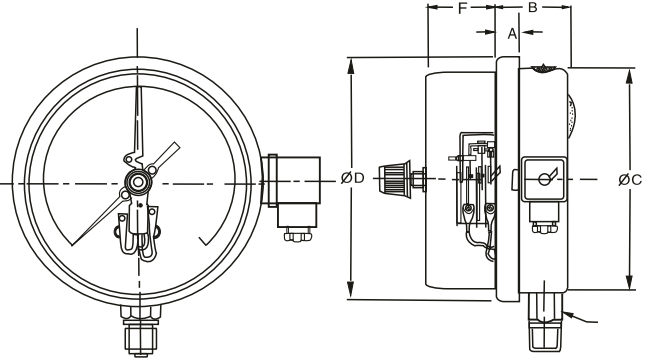
## DIMENSIONS-STANDARD VERSION

**TYPE1**



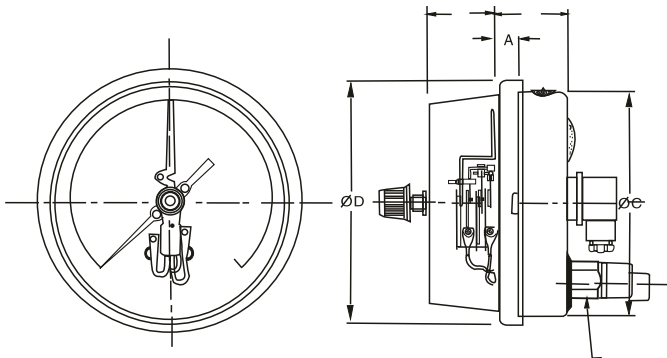
NS	A	B	ØC	ØD	E	F	ØI	ØN	ØU	L	S	Weight in gram (With Box)
100	12.5	48	100	110	A/F22	43.5	6	134	118	15	6	880.0
150	15	49	149	161	A/F22	43.5	6	186	168	15	6	1377.5

**TYPE2**



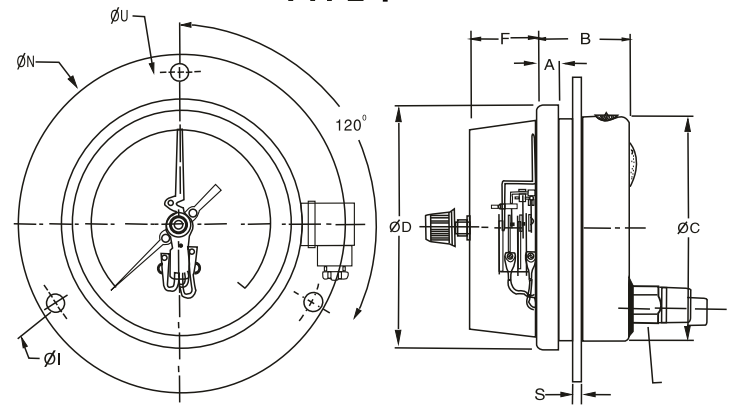
NS	A	B	ØC	ØD	E	F	Weight in gram (With Box)
100	12.5	48	100	110	A/F22	43.5	795.0
150	15	49	149	161	A/F22	43.5	1200.0

**TYPE3**



NS	A	B	ØC	ØD	E	F	Weight in gram (With Box)
100	12.5	48	100	110	A/F22	43.5	785.0
150	15	49	149	161	A/F22	43.5	1140.0

**TYPE4**



NS	A	B	ØC	ØD	E	F	ØI	ØN	ØU	Weight in gram (With Box)
100	12.5	48	100	110	A/F22	43.5	6	134	118	850.0
150	15	49	149	161	A/F22	43.5	6	186	168	1200.0

## RANGE TABLE

**Note:** MIX offers National/International Scales like kPa, MPa, bar, psi, kg/cm<sup>2</sup> & Dual Scale like kPa with psi, KPa with bar, bar with psi or Equivalent scales as per the requirement can be provided on request.

**Following are the example tables for kg/cm<sup>2</sup> & psi scales**

## PRESSURE

SINGLE SCALE ( kg/cm <sup>2</sup> or bar)					
RANGE	RANGE	RANGE	RANGE	RANGE	RANGE
0/1.6	0/10	0/60	0/400	0/1000	
0/2.5	0/16	0/100	0/600	0/1400	
0/1	0/25	0/160		0/1600	
0/6	0/40	0/250			

DUAL SCALE PSI with kg/cm <sup>2</sup> or PSI with bar					
RANGE (PSI)	RANGE (kg/cm <sup>2</sup> )	RANGE (PSI)	RANGE (kg/cm <sup>2</sup> )	RANGE (PSI)	RANGE (kg/cm <sup>2</sup> )
0/25	0/1.6	0/400	0/28	0/4000	0/280
0/35	0/2.5	0/500	0/35	0/5000	0/350
0/60	0/4	0/600	0/40	0/6000	0/400
0/100	0/7	0/1000	0/70	0/10000	0/700
0/150	0/10	0/1500	0/100	0/15000	0/1000
0/200	0/14	0/2000	0/140	0/20000	0/1400
0/300	0/20	0/3000	0/200	0/23000	0/1600

\*Note: For ranges above 1600 kg/cm<sup>2</sup>, please consult factory.

## VACUUM & COMPOUND

DUAL SCALE ( inHg with PSI & mmHg with kg/cm <sup>2</sup> )					
RANGE	RANGE	RANGE	RANGE	RANGE	RANGE
inHg with PSI	mmHg with kg/cm <sup>2</sup>	inHg with PSI	mmHg with kg/cm <sup>2</sup>	inHg with PSI	mmHg with kg/cm <sup>2</sup>
-30/15	-760/1	-30/100	-760/6	-30/300	-760/20
-30/30	-760/2	-30/150	-760/9	-30/350	-760/24
-30/60	-760/3	-30/200	-760/15		

SINGLE SCALE (kg/cm <sup>2</sup> )				
RANGE	RANGE	RANGE	RANGE	RANGE
-1/0.6	-1/3	-1/9	-1/24	
-1/1.5	-1/5	-1/15		

## ACCESSORIES †

EC GAUGE COCK	ED GAUGE SAVER	EG SNUBBER
EX DIAPHRAGM SEAL	* NEEDLE VALVE	EH SIPHON

†Refer Datasheet for complete specifications

\*Refer catalogue for Valves & Manifolds

## HOW TO ORDER

### BASIC MODEL

CODE	D	F
NOMINAL SIZE	100mm	150mm

### TYPE OF MOUNTING

A4 WALL/SURFACE/PROJECTION MOUNTING WITH BOTTOM ENTRY  
 A1 DIRECT BOTTOM ENTRY  
 A5 DIRECT LOWER BACK ENTRY  
 A6 FLUSH PANEL BACK ENTRY WITH FRONT FLANGE  
 A3 BACK ENTRY WITH MOUNTING BRACKET

### GAUGE CONNECTION

<b>B16</b> 1/4"BSP(M)	<b>B12</b> 3/8"NPT(M)	<b>B15</b> 1/2"BSPT(M)
<b>B9</b> 3/8"BSP(M)STANDARD	<b>B13</b> 1/2"BSP(M)STANDARD	<b>B17</b> M12*1(M)STANDARD
<b>B10</b> 1/2"NPT(M)STANDARD	<b>B6</b> 1/4"BSPT(M)	<b>B18</b> M16*1.5(M)
<b>B11</b> 1/4"NPT(M)	<b>B14</b> 3/8"BSPT(U)	<b>B19</b> M20*1.5"(M)

**Note:Connections like PT/PF/Flairde /UNF/G/R eac.can be orivuded on request.**

**Non standard connections can be provided through adaptors.**

### RANGE

REFER TABLES

### OPTIONS

FOR NON STANDARD PRODUCTS/OPTIONAL ITEMS, PLEASE CONTACT FACTORY FOR DELNERY AND MINMUM QUANTITY OF ORDER.

<b>C28</b> MONEL BOURDON & SQCKET(MONEL VERSION)	<b>C46</b> TESTED TO NACE STANDARDS
<b>C12</b> AISI 316 SS CASE & BEZEL	<b>C3</b> CUSTOM DESIGNED DIAL
<b>C1</b> FIVE POINTER CALIBRATION CERTIFICATE	<b>C2</b> DAMPENING SCREW IN AISI 316 SS
<b>C48</b> FOLLABLE LIQUID DIELECTRIC LIL	<b>C36</b> INTERNAL OVERPRESSURE STOP
<b>C9</b> SS TAG PLATE	<b>C37</b> INTERNAL VACUUM STOP
<b>C35</b> DIAL TAG MARKING	<b>C40</b> CASE WITH BALL BURNINSHING FINISH
<b>C20</b> HELIUM LEAK TEST	<b>C41</b> CASE WITH BUFFING FINISH

### ELECTRIC CONTACTS

**A),MAGNETIC SNAP ACTION TYPE(230VAC,IAmp.)  
(48V DC ,0.5 Amp.)**

<b>D1</b> Single;NORMALLY CLOSED
<b>D2</b> Double;NORMALLY CLOSED+NORMALLY OPEN
<b>D3</b> Single;NORMALLY OPEN
<b>D4</b> Double;NORMALLY OPEN+NORMALLY CLOSED
<b>D5</b> Double;NORMALLY CLOSED
<b>D6</b> Double ;NORMALLY OPEN
<b>D7</b> BOOSTER FOR CURRENT UPT05Amp.
<b>D8</b> SPDT
<b>D9</b> DPDT

**B),INDUCTIVE TYPE(230VAC,0.4 Amp.)**

<b>D10</b> Single;NORMALLY OPEN
<b>D11</b> Single;NORMALLY CLOSED
<b>D12</b> Double;NORMALLY CLOSED+NORMALLY OPEN
<b>D13</b> Double;NORMALLY OPEN
<b>D14</b> Double;NORMALLY CLOSED
<b>D15</b> Double;NORMALLY CLOSED+NORMALLY CLOSED

BBJ

F

A4

B16

0-10  
kg/cm<sup>2</sup>

C46

### Ordering Example:

**BBJ-F-A4-B16-0/10kg/cm<sup>2</sup>-C46**

**Note: ● Due to continuous improvement, th~specification may vary from time to time.**