

ALL SS PRESSURE GAUGE

ELECTRIC CONTACT TYPE (HIGH CASE VERSION)

BBI



SPECIAL FEATURES

- STAINLESS STEEL CASE & MEASURING SYSTEM
- TWO PIECE CONSTRUCTION
- DRY OR LIQUID FILLED
- STANDARD FOLLOWED IN GENERAL EN 837-1

APPLICATIONS

SUITABLE TO CONTROL THE ELECTRICAL OPERATION OF COMPRESSORS, PUMPS, PRESSES, HYDRAULIC & PNEUMATIC EQUIPMENTS, CHEMICALS & PETROCHEMICAL PLANTS.



SPECIFICATIONS

STANDARD VERSION: 100mm, 150mm

| | |
|---------------------|--|
| Accuracy | : ±1.0% Of F.S. |
| Ambient temperature | : -20°C to +60 °C |
| Process temperature | : Max. 3000 °C |
| Electric Wiring | : Junction Box |
| Contact Setting | : Over on arc of 270° through a knob placed on front of lens |
| Operating pressure | : 75% of the Scale Value |
| Over pressure limit | : Not Suitable |

| | |
|----------|---|
| Case | : AIS I304 SS |
| Ring | : AIS I304 SS, Bayonet Type |
| Bourdon | : AIS I316 SS |
| Socket | : AIS I316 SS (Directly Welded to Case) |
| Movement | : AIS I304 SS |
| Joints | : TIG argon arc welding |

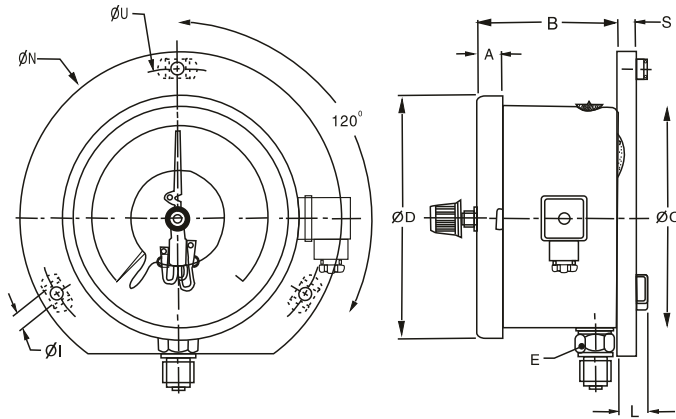
| | |
|---------------|---|
| Protection | : IP65 |
| Dial | : Aluminium, black graduation on white background |
| Pointer | : Aluminium, black coloured, fixed |
| Window | : Shatterproof/Safety Glass |
| Contact | : Silver-Nickel |
| Blow off Disc | : Neoprene |
| Filling Plug | : Neoprene |

DRY BUT FILLABLE VERSION

| | |
|-------------|------------------------------------|
| Option Code | : Fillable Dampening Liquid |
| | : Fillable Dielectric Oil |

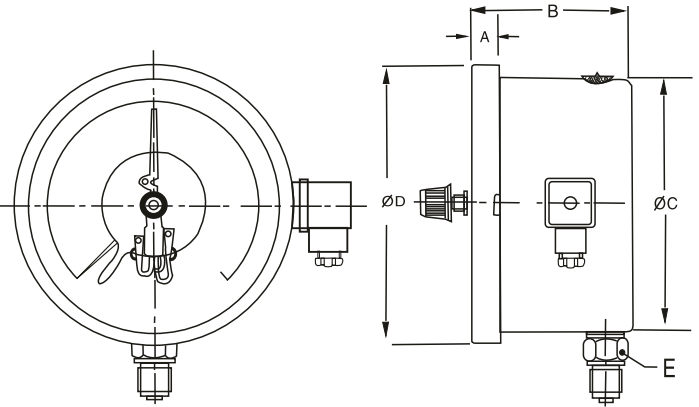
DIMENSIONS-STANDARD VERSION

TYPE1



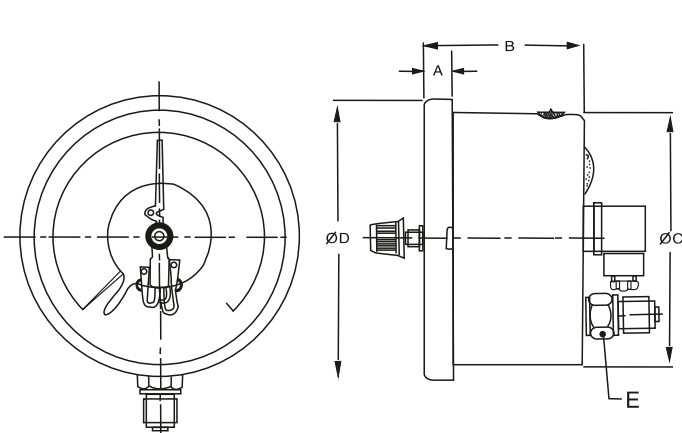
| NS | A | B | ØC | ØD | E | ØI | ØN | ØU | L | S | Weight in gram (With Box) |
|-----|------|----|-----|-----|-------|----|-----|-----|----|---|---------------------------|
| 100 | 12.5 | 89 | 100 | 110 | A/F22 | 6 | 134 | 118 | 15 | 6 | 1050.06 |
| 150 | 15 | 90 | 149 | 161 | A/F22 | 6 | 186 | 169 | 15 | 6 | 1400 |

TYPE2



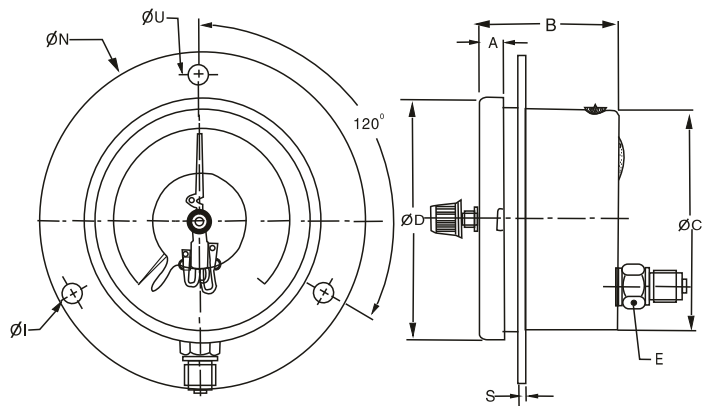
| NS | A | B | ØC | ØD | E | Weight in gram (With Box) |
|-----|------|----|-----|-----|-------|---------------------------|
| 100 | 12.5 | 89 | 100 | 110 | A/F22 | 980.0 |
| 150 | 15 | 90 | 149 | 161 | AF/22 | 1351 |

TYPE3



| NS | A | B | ØC | ØD | E | Weight in gram (With Box) |
|-----|------|----|-----|-----|-------|---------------------------|
| 100 | 12.5 | 89 | 100 | 110 | A/F22 | 970.0 |
| 150 | 15 | 90 | 149 | 161 | AF/22 | 1150 |

TYPE4



| NS | A | B | ØC | ØD | E | ØI | ØN | ØU | Weight in gram (With Box) |
|-----|------|----|-----|-----|-------|----|-----|-----|---------------------------|
| 100 | 12.5 | 89 | 100 | 110 | A/F22 | 6 | 134 | 118 | 1050.06 |
| 150 | 15 | 90 | 149 | 161 | A/F22 | 6 | 186 | 168 | 1400 |

RANGE TABLE

Note: MIX offers National/International Scales like Pa, MPa, bar, psi, kg/cm², mbar, mmWC, inWC & Dual Scale like KPa with psi, KPa with bar, bar with psi or Equivalent scales as per the requirement can be provided on request.

Following are the example tables for kg/cm² & psi scales

PRESSURE

| SINGLE SCALE (kg/cm ² or bar) | | | | | |
|--|----------------------------|------------|----------------------------|------------|----------------------------|
| RANGE | RANGE | RANGE | RANGE | RANGE | RANGE |
| 0/1.6 | 0/10 | 0/60 | 0/400 | 0/1000 | |
| 0/2.5 | 0/16 | 0/100 | 0/600 | 0/1400 | |
| 0/4 | 0/25 | 0/160 | | 0/1600 | |
| 0/6 | 0/40 | 0/250 | | | |
| DUAL SCALE PSI with kg/cm ² or PSI with bar | | | | | |
| RANGE(PSI) | RANGE(kg/cm ²) | RANGE(PSI) | RANGE(kg/cm ²) | RANGE(PSI) | RANGE(kg/cm ²) |
| 0/25 | 0/1.6 | 0/400 | 0/28 | 0/4000 | 0/280 |
| 0/35 | 0/2.5 | 0/500 | 0/35 | 0/5000 | 0/350 |
| 0/60 | 0/4 | 0/600 | 0/40 | 0/6000 | 0/400 |
| 0/100 | 0/7 | 0/1000 | 0/70 | 0/10000 | 0/700 |
| 0/150 | 0/10 | 0/1500 | 0/100 | 0/15000 | 0/1000 |
| 0/200 | 0/14 | 0/2000 | 0/140 | 0/20000 | 0/1400 |
| 0/300 | 0/20 | 0/3000 | 0/200 | 0/20000 | 0/1600 |

*Note: For ranges above 1600 kg/cm², please consult factory.

VACUUM & COMPOUND

| DUAL SCALE (inHg with PSI & mmHg with kg/cm ²) | | | | | |
|---|---------------------------------------|------------------------|---------------------------------------|------------------------|---------------------------------------|
| RANGE inHg with PSI | RANGE mmHg with kg/cm ² | RANGE inHg with PSI | RANGE mmHg with kg/cm ² | RANGE inHg with PSI | RANGE mmHg with kg/cm ² |
| -30/15 | -760/1 | -30/1000 | -760/6 | -30/300 | -760/20 |
| -30/30 | -760/2 | -30/150 | -760/9 | | |
| -30/0 | -760/3 | -30/200 | -760/15 | | |
| SINGLE SCALE (kg/cm ²) | | | | | |
| RANGE | RANGE | RANGE | RANGE | RANGE | RANGE |
| -1/0.6 | -1/3 | -1/9 | -1/24 | | |
| -1/1.5 | -1/5 | -1/15 | | | |

ACCESSORIES †

| | | |
|----------------|-----------|-------------------|
| EC GAUGE COCK | * SNUBBER | DX DIAPHRAGM SEAL |
| ED GAUGE SAVER | EH SIPHON | |

†Refer Datasheet for complete specifications

*Refer catalogue for Valves & Manifolds

HOW TO ORDER

BASIC MODEL

| CODE | D | E |
|--------------|-------|-------|
| NOMINAL SIZE | 100mm | 150mm |

TYPE OF MOUNTING

A4 WALL/SURFACE/PROJECTION MOUNTING WITH BOTTOM ENTRY
 A1 DIRECT BOTTOM ENTRY
 A5 DIRECT LOWER BACK ENTRY
 A6 FLUSH PANEL BACK ENTRY WITH FRONT FLANGE
 A3 BACK ENTRY WITH MOUNTING BRACKET

GAUGE CONNECTION

| | | |
|-------------------------------|-------------------------------|-----------------------------|
| B16 1/4"BSP(M) | B12 3/8"NPT(M) | B15 1/2"BSPT(M) |
| B9 3/8"BSP(M)STANDARD | B13 1/2"BSP(M)STANDARD | B17 M12*1(M)STANDARD |
| B10 1/2"NPT(M)STANDARD | B6 1/4"BSPT(M) | B18 M16*1.5(M) |
| B11 1/4"NPT(M) | B14 3/8"BSPT(U) | B19 M20*1.5(M) |

Note:Connections like PT/PF/Flairde /UNF/G/R eac.can be orivuded on request.

Non standard connections can be provided through adaptors.

RANGE

REFER TABLES

OPTIONS

FOR NON STANDARD PRODUCTS/OPTIONAL ITEMS, PLEASE CONTACT FACTORY FOR DELIVERY AND MINMUM QUANTITY OF ORDER.

| | |
|--|--|
| C28 MONEL BOURDON & SQCKET(MONEL VERSION) | C46 TESTED TO NACE STANDARDS |
| C12 AISI 316 SS CASE & BEZEL | C3 CUSTOM DESIGNED DIAL |
| C1 FIVE POINTER CALIBRATION CERTIFICATE | C2 DAMPENING SCREW IN AISI 316 SS |
| C48 FOLLABLE LIQUID DIEL ECTRIC LIL | C36 INTERNAL OVERPRESSURE STOP |
| C9 SS TAG PLATE | C37 INTERNAL VACUUM STOP |
| C35 DIAL TAG MARKING | C40 CASE WITH BALL BURNINSHING FINISH |
| C20 HELIUM LEAK TEST | C41 CASE WITH BUFFING FINISH |
| C30 PLEXI/ACRYLIC GLASS | |

ELECTRIC CONTACTS

**A),MAGNETIC SNAP ACTION TYPE(230VAC,IAmp.)
(48V DC ,0.5 Amp.)**

| |
|--|
| D1 Single;NORMALLY CLOSED |
| D2 Double;NORMALLY CLOSED+NORMALLY OPEN |
| D3 Single;NORMALLY OPEN |
| D4 Double;NORMALLY OPEN+NORMALLY CLOSED |
| D5 Double;NORMALLY CLOSED |
| D6 Double ;NORMALLY OPEN |
| D7 BOOSTER FOR CURRENT UPT05Amp. |
| D8 SPDT |
| D9 DPDT |

B),INDUCTIVE TYPE(230VAC,0.4 Amp.)

| |
|---|
| D10 Single;NORMALLY OPEN |
| D11 Single;NORMALLY CLOSED |
| D12 Double;NORMALLY CLOSED+NORMALLY OPEN |
| D13 Double;NORMALLY OPEN |
| D14 Double;NORMALLY CLOSED |
| D15 Double;NORMALLY CLOSED+NORMALLY CLOSED |

Ordering Example:

BBI-D-A4-B16-0/10kg/cm²-C28

Note: • Due to continuous improvement,th~specification may vary from time to time.

BBI

D

A4

B16

0-10
kg/cm²

C28