

ALL SS PRESSURE GAUGE

CAPSULE TYPE



BBK



SPECIAL FEATURES

- STAINLESS STEEL CASE & SURING
- MOST SUITABLE FOR AIR & GASEOUS APPLICATION
MEASUREMENT FROM 10 mbar TO 600 mbar
- BOTTOM & BACK MOUNTING
- VACUUM & COMPOUND RANGES
- STANDARD FOLLOWED IN GENERAL EN8337-3



APPLICATIONS

FOOD & BEVERAGES, PHARMACEUTICAL, CONVENTIONAL & NUCLEAR
POWER PLANTS, DRAFT MEASUREMENT

SPECIFICATIONS

STANDARD VERSION: 63mm, 100mm, 125mm, 150mm

Accuracy	: $\pm 1.6\%$ of F.S.
Ambient temperature	: -25°C to $+65^{\circ}\text{C}$
Process temperature	: Max. 150°C
Operating pressure	: 75% of the scale value

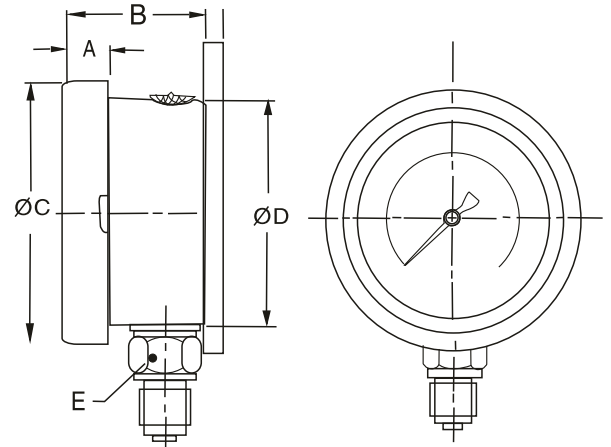
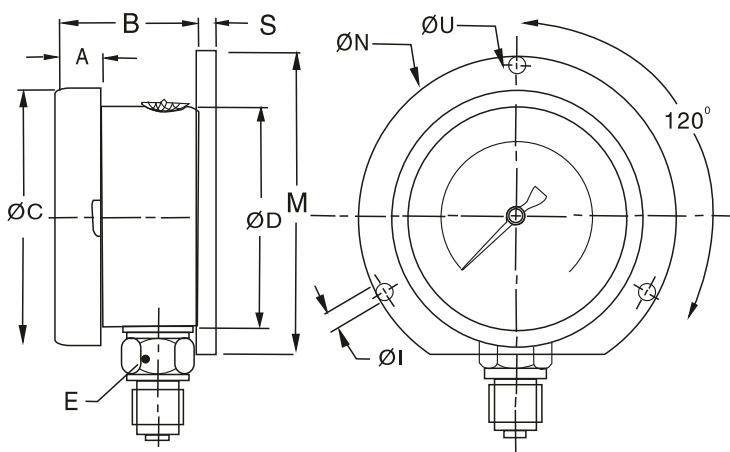
Case	: AISI 304 SS
Ring	: AISI 304 SS, Bayonet Type
Socket	: AISI 316L SS
Jointst	: TIG argon arc welding
Capsule	: AISI 316 SS (With Laser Welded)

Over Pressure	: $\pm 1.0\%$ F.S.D.
Pointer	: IP55
Dial	: Aluminium, black graduation on white background background with zero adjustment provision)
Pointer	: Aluminium, black coloured, fixed
Window	: Sheetproof/Safety Glass
Gasket	: Neoprene

DIMENSIONS-STANDARD VERSION

TYPE1

TYPE2

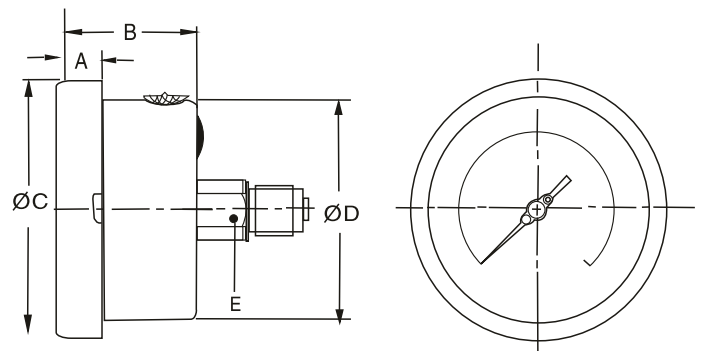
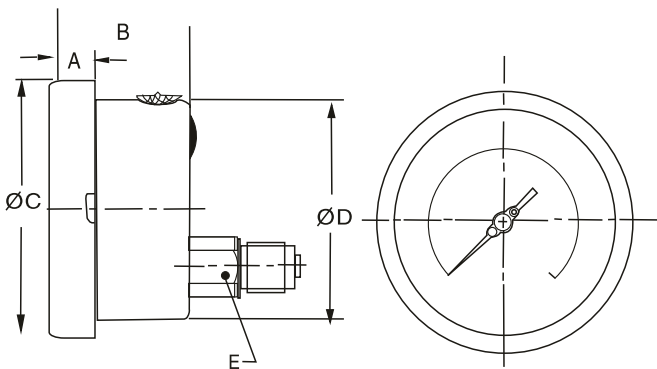


NS	A	B	ØC	ØD	E	S	ØN	ØI	ØU	M	Weight in gram (With Box)
63	12.5	46	77	66.5	A/F14	5	88	5	76	80	320.0

NS	A	B	ØC	ØD	E	Weight in gram (With Box)
63	12.5	46	77	66.5	A/F14	270.0

TYPE3

TYPE4



NS	A	B	ØC	ØD	E	Weight in gram (With Box)
100	12.5	48	110	100	22	605
125	11	48	131	119	22	665
50	15	49	161	149	22	1115

NS	A	B	ØC	ØD	E	Weight in gram (With Box)
100	12.5	48	110	100	22	605
125	11	48	131	119	22	665
50	15	49	161	149	22	1115

Notes:•Drawings are not to scale. All Dimensions in mm. •NS =Nominal Size

RANGE TABLE

Note: MIX offers National/International Scales like Pa, mbr Pa, kPa, inWC, MWC, inHg, mmHg & Dual Scale or Equivalent scales as per the requirement can be provided on request. Following are the example tables for mmWC scales

PRESSURE RANGE

SINGLE SCALE-mmWC				
RANGE	RANGE	RANGE	RANGE	RANGE
0/250	0/6000	0/1600		0/6000
0/400	0/1000	0/2000		

VACUUM & COMPOUND RANG

SINGLE SCALE-mmWC				
RANGE	RANGE	RANGE	RANGE	RANGE
-250/0	-600/0	-1600/0	-2520/1500	-6000/0
-400/0	-1000/0	-2000/0	4000/0	

SINGLE SCALE-mmWC				
RANGE	RANGE	RANGE	RANGE	RANGE
-100/400	-200/400	-600/1000	-100/1500	-2000/4000
-150/250	400/600	-800/1200	1500/2500	

HOW TO ORDER

BASIC MODEL

CODE	C	D	E	F
NOMINAL SIZE(mm)	63	100	125	150

TYPE OF MOUNTING

- A4 WALL/SURFACE/PROJECTION MOUNTING WITH BOTTOM ENTRY
- A1 DIRECT BOTTOM ENTRY
- A5 DIRECT LOWER BACK ENTRY(NOT FOR NS 63mm)
- A2 DIRECT CENTER BACK ENTRY
- A6 FLUSH PANEL BACK ENTRY WITH FRONT FLANGE
- A3 BACK ENTRY WITH MOUNTING BRACKET

GAUGE CONNECTION

B5 1/4"BSP(M)STANDARD FOR NS 63mm	B11 1/4"NPT(M)STANDARD FOR NS 63mm
B9 3/8"BSP(M)STANDARD	B12 3/8"NPT(M)
B10 1/2"NPT(M)STANDARD	B22 1/2"BSP(M)

Note:Connections like PT/PF/Flairde /UNF/G/R eac.can be orivuded on request.

Non standard connections can be provided through adaptors.

RANGE

REFER TABLES

OPTIONS

FOR NON STANDARD PRODUCTS/OPTIONAL ITEMS, PLEASE CONTACT FACTORY FOR DELNERY AND MINMUM QUANTITY OF ORDER.

C12 AISI 316 CASE & BEZEL	C19 TOUGHENED GLASS
C1 FIVE POINT CALI BRATION CERTIFICATE	C7 OXYGEN SERVICE
C2 INTEGRAL DAMPENING SCREW IN AISI 316 SS	C35 DIAL TAGMABKING
C9 CUSTOM DESIGNED DIAL	C9 SS TAG PLATE
C30 PLEXI GLASS	C49 BRASS(CHROME PLATED)MOVEMENT
C16 SHATTER PROOF/SAFETY GLALL	

Ordering Example:

BBK-F-A4-B5-0/600mm Wc-C19

Note: ● Due to continuous improvement, th~specification may vary from time to time.

BBK

F

A4

B5

0-600
mmWC

C19