

SS CASE PRESSURE GAUGE

DIA PHRAGM TYPE

BBN



SPECIAL FEATURES

- STAINLESS STEEL CASE & MEASURING SYSTEM
- RANGES FROM 25 mbar TO 600mbar
- FLANGED OR SCREWED CONNECTION
- SUITABLE FOR GASEOUS & SLURRY APPLICATION
- STANDARD FOLLOWED IN GENERAL EN 837-1

APPLICATIONS

POWER/CEMENT/CHEMICALS/REFINERY/FERTILIZER/
PETROCHEMICALS/PHARMACEUTICAL/SUGAR/FOOD &
BEVERAGES/PULP & PAPER & ALLIED PROCESS INDUSTRIES.



SPECIFICATIONS

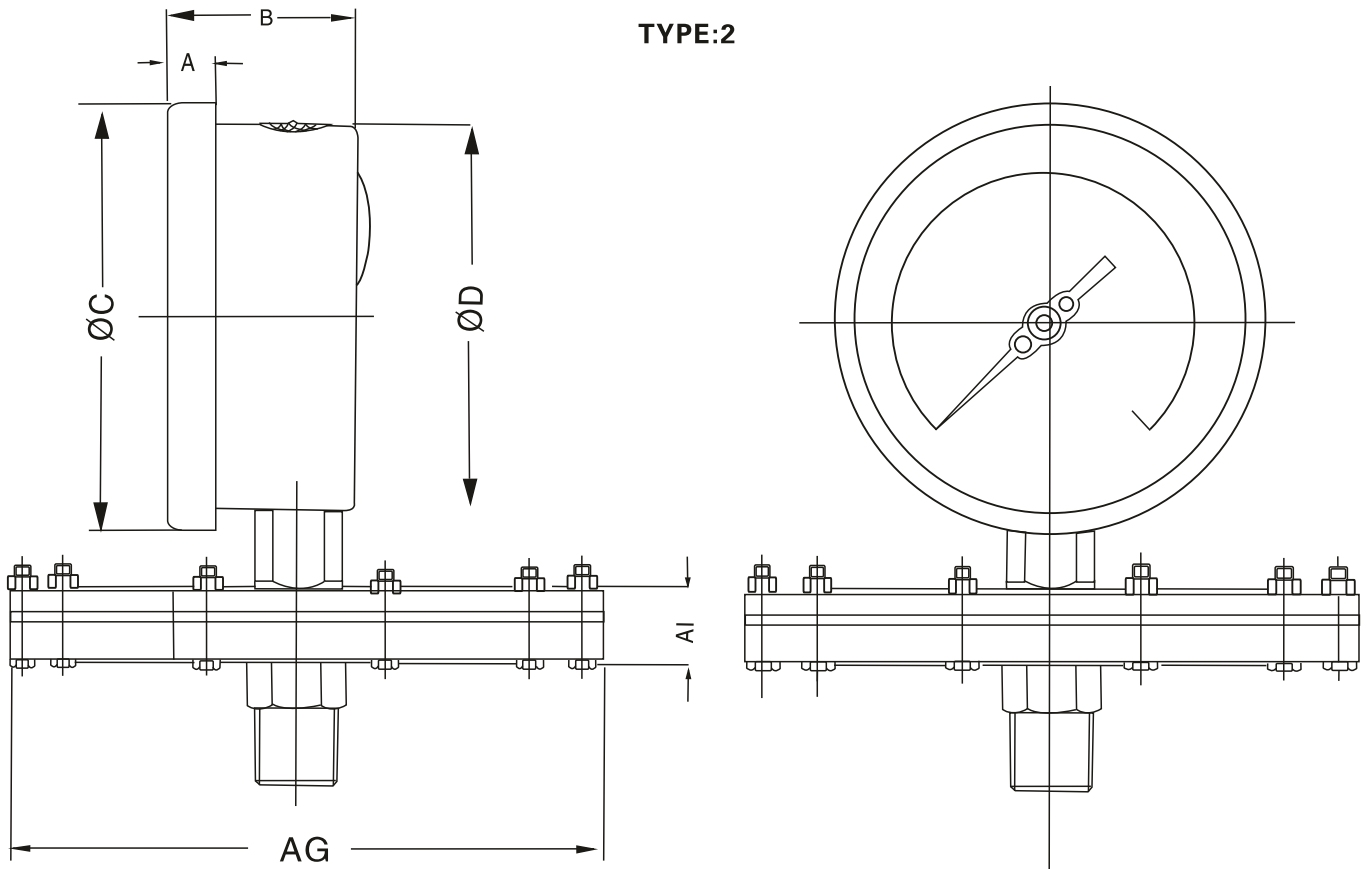
STANDARD VERSION:100mm,150mm

Accuracy	: $\pm 1.6\%$ Of F.S.
Ambient temperature	: -25°C to $+65^{\circ}\text{C}$
Process temperature	: Max. 120°C
Operating pressure	: 75% of the Range Value
Over pressure limit	: 130% of Full Scale

Case	: AISI 304 SS
Ring	: AISI 304 SS,
Top Chamber	: AISI 304 SS Bayonet Type
Bottom Chamber	: AISI 316 SS
Movement	: AISI 304 SS
Diaphragm	: AISI 316L SS

Protection	: IP65
Dial	: Aluminium, black graduation on white background
Pointer	: Aluminium, black coloured, micrometer zero adjustable
Window	: Sheet Glass
Blow off Disc	: Neoprene
Gasket	: Neoprene

TYPE:2



NS	A	B	ØC	ØD	AG	AI	Weight up gram (With Box)
100	12.5	48	110	100	158	17.5	2600
150	16	49	161	149	158	17.5	3080

(*WEIGHTS, MENTIONED ARE FOR STANDARD VERSION.)

Notes: • Drawings are not to scale. All Dimensions are in mm. • NS=Nominal Size

HOW TO ORDER

BASIC MODEL

BBN

CODE

D

F

F

NOMINAL SIZE(mm)

100mm

150mm

TYPE OF MOUNTING

A1 DIRECT BOTTOM ENTRY

A1

GAUGE CONNECTION

B12

B12	3/8"NPT(M)	B15	1/2"BSPT(M)
B13	1/2"NPT(M)STANDARD	B19	M20*1.5(M)
B9	3/8"BSP (M)STANDARD	B14	3/8"BSPT(M)
B10	1/2"BSP(M)STANDARD		

- Note:**
- Connections like PT/PF/Flairde /UNF/G/R eac.can be orivuded on request.
 - Non standard connections can be provided through adaptors.
 - Flaged Connections as per BS/ANSI/DIN etc standards with or without teflon protection can be provided on request.
 - For Flanged Connections refer table

RANGE

REFER TABLES

0-250
mmWC

OPTIONS

C1

FOR NON STANDARD PRODUCTS/OPTIONAL ITEMS, PLEASE CONTACT FACTORY FOR DELNERY AND MINMUM QUANTITY OF ORDER.

- C1 FIVE POINT CALIBRATION CERTIFICATE
- C3 CUSTOM DESIGNED DIAL
- C16 SHATTERPROOF/SAFETY GLASS
- C19 TOUGHENED GLASS
- C35 DIAL TAG MARKING
- C9 SSTAG PLATE
- C53 SILVER PROTECTIN ON DIAPHRAGM
- C54 MONEL PROTECTION ON DIAPHRAGM
- C55 HASTELLOY 'C' PROTECTION ON DIAPHRAGM
- C56 PTFE PROTECTION ON WETTED PORTATION
- C12 AISI 316SS CASE & BEZEL
- C57 PTFE PRO TECTION ON DIAPHRAGM
- C58 TOP CHAMBER IN AISI 316SS
- C59 2" PIPE MOUNTING FOR BOTTOM MOUNTING GAUGES
- C61 OVER PRESSURE LIMIT UPTO 2.5 TIMES OF RANGE
- C60 PTFE GASKET UPTO 200°C

ELECTRIC CONTACTS

(WITH IP PROTECTION UPTO IP55)

INDUCTIVE TYPE (220V AC, 0.4 Amp.)

- C10 Single;NORMALLY OPEN
- C11 Single;NORMALLY CLOSED
- C12 Double;NORMALLY CLOSED+NORMALLY OPEN
- C13 Double;NORMALLY OPEN
- C14 Double;NORMALLY CLOSED
- C15 Double;NORMALLY OPEN+NORMALLY CLOSED

Ordering Example:

BBN-F-A1-B12-0/10kg/cm²-C1

Note: ● Due to continuous improvement, th~specification may vary from time to time.