

SPECIAL FEATURES

- CONTINUOUS DUTY
- WELDED DIAPHRAGM
- SUITABLE FOR SLURRY / VISCOUS SERVICE
- FLUSH FITMENT IN PIPELINE

APPLICATIONS

DIAPHRAGM SEALS ARE PROVIDED IN THE INSTRUMENTS LIKE PRESSURE GAUGES, SWITCHES, TRANSMITTERS IN ORDER TO ISOLATE THE SENSING ELEMENT FROM THE MAIN SERVICE DUE TO ITS CORROSIVE, VISCOUS AND SEDIMENTED NATURE AND TO AVOID CLOGGING AND SOLIDIFICATION.



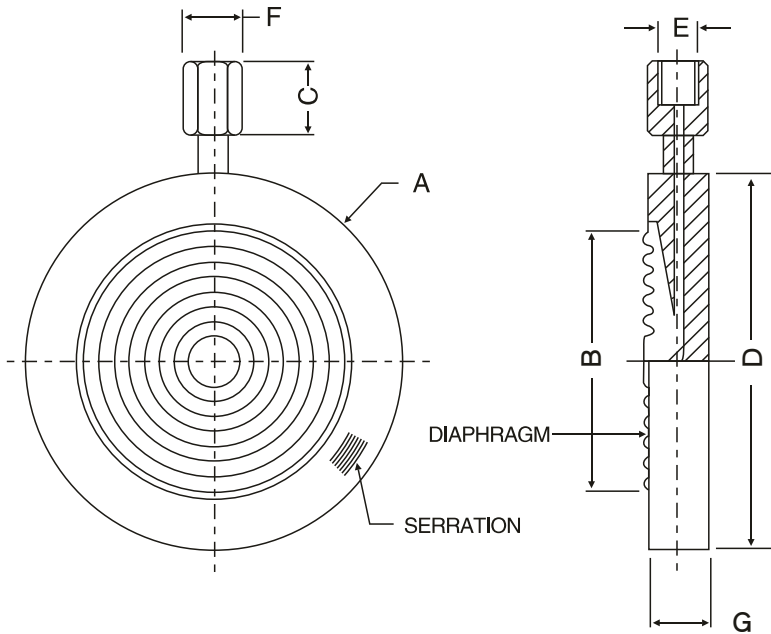
SPECIFICATIONS

STANDARD VERSION

Range	: -1 kg/cm ² to 160 kg/cm ²
Process Temperature	: -40°C to 200 °C or as per fill fluid
Instrument Connection	: 1/4" BSP (F)
Process Connection	: Suitable for 2" & above Flange Size Finish 125–250 AARH (Sizes as per ANSI/BS/DIN/JIS)

Diaphragm	: AISI 316L SS
Body	: AISI 316 SS
Fill Fluid	: Silicon Oil – DC 200

DIMENSIONS – STANDARD VERSION



A	B	C	D	E	F	G
**	***	20	*	1/4" BSP(F)	17 HEX	22

- * To suit flange raised face
- ** 2" & above Flanges as per ANSI, BS, DIN, JIS Etc.
- *** Diaphragm 32, 40, 63, 85 mm OD to suit flange RF & suitable for Pressure range

Notes: • Drawings are not to scale. • All Dimensions are in mm.

FLANGE CONNECTION CODES

AS PER DIN 2527

DN	PN	CODE
50	6	A51
	10	A52
	16	A53
	25	A54
	40	A55
	64	A56
	100	A57
	160	A58
	250	A59
	400	A60

DN	PN	CODE
80	6	A71
	10	A72
	16	A73
	25	A74
	40	A75
	64	A76
	100	A77
	160	A78
	250	A79
	400	A80

AS PER ANSI B 16.5

NOMINAL SIZE	TABLE	CODE
2"	150	B39
	300	B40
	600	B41
	900	B42
	1500	B43
	2500	B44
3"	150	B51
	300	B52
	600	B53
	900	B54
	1500	B55
	2500	B56

HOW TO ORDER

BASIC MODEL

OPTIONS

FOR NON STANDARD PRODUCTS/OPTIONAL ITEMS,PLEASE, CONTACT FACTORY FOR DELIVERY AND MINIMUM QUANTITY OF ORDER.

DIAPHRAGM MATERIAL

- M1** AISI 316L SS
M4 HASTELLOY'C'
M2 NICKEL

INSTRUMENT CONNECTION

- Q3** 1/4" NPT (F) **Q5** 3/8" NPT (F)
Q6 3/8" BSP (F) **Q2** 1/4" BSP (F)

PROCESS CONNECTION / BODY

- O26** SUITABLE FOR 2" FLANGE SIZE (AS PER DIN/ANSI/BS/JIS)
O27 SUITABLE FOR 3" FLANGE SIZE (AS PER DIN/ANSI/BS/JIS)

Note: The Body material shall be equivalent to diaphragm material

FILLING FLUID

- T1** FLUROLUBE 4.2 [-45 TO 175°C / -49 TO 374°F]
T3 FLUROLUBE 6.3 [-40 TO 235°C / -40 TO 455°F]
T5 FLUROLUBE FS5 [-40 TO 150°C / -40 TO 302°F]
T7 FOOD GRADE OIL [-20 TO 140°C / -4 TO 284°F]
T9 SILICON DC 200-10CS [-40 TO 205°C / -40 TO 401°F]
T2 SILICON DC 704 [0 TO 315°C / 32 TO 599°F]
T4 SILICON DC 710 [5 TO 345°C / 41 TO 653°F]
T6 SYLTHERM 800 [-45 TO 205°C / -49 TO 401°F]
T8 SYLTHERM XLT [-75 TO 150°C / -102 TO 302°F]
T10 HALOCARBON OIL

PROTECTION ON WETTED PARTS

- U2** PTFE PROTECTION FOR DIAPHRAGM
U3 PTFE COATING ON DIAPHRAGM

TYPE

- G1** WITHOUT CAPILLARY **G2** WITH CAPILLARY

CAPILLARY

- H1** AISI 304 SS **H2** AISI 316 SS

CAPILLARY COVERED WITH ARMOUR

- I1** AISI 304 SS **I2** AISI 316 SS **I3** PVC

CAPILLARY LENGTH(Max up to 6Mtrs.)

IN METERS (e.g. 1.5 = 1.5 METERS 2.0 = 2 METERS)

OTHER OPTIONS

- K3** HELIUM LEAK TEST **K4** DRY SEAL ONLY WITHOUT INSTRUMENT

Ordering Example:

BBZ-M1-Q3-O26-T1-U2-G1-H1-I1-1Mtr.-K3

Notes: • Due to continuous improvement, the specification may vary from time to time.

BBZ

M1

Q3

O26

T1

U2

G1

H1

I1

1 Mtr.

K3

