

# GAUGE COCK

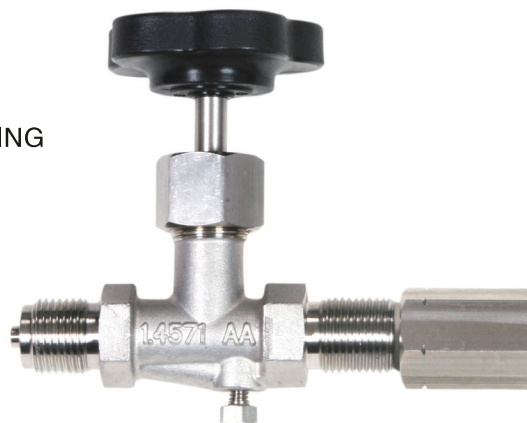
BCC

ALL STAINLESS STEEL



## SPECIAL FEATURES

- PTFE ADJUSTABLE PACKING INSTALLED BELOW OPERATING THREADS TO PREVENT MEDIA CONTAMINATION OR LUBRICANT WASHOUT OF OPERATING THREADS
- SPINDLE FOR LONGER DURABLE OPERATION

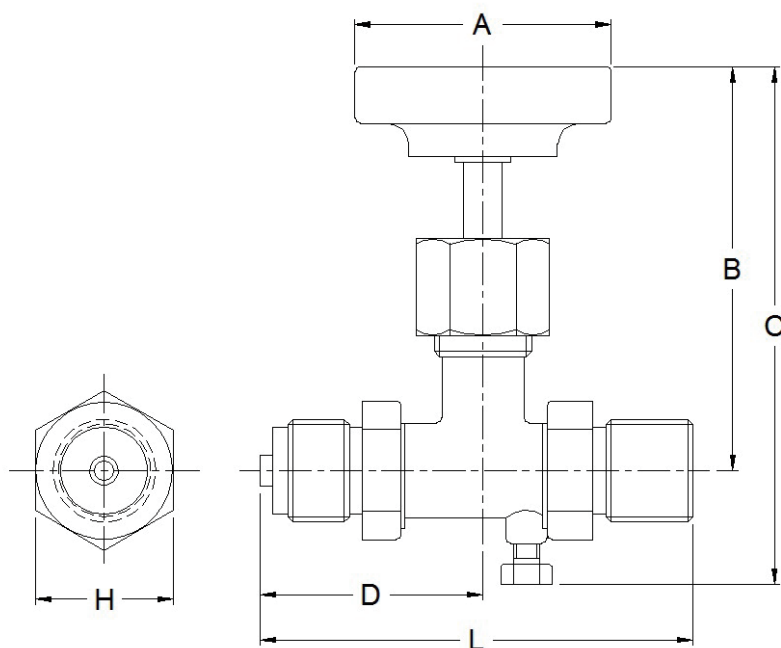


## SPECIFICATIONS

### STANDARD VERSION

Body	:	AISI 316 SS
Handle	:	AISI 316 SS
Working Temperature	:	Up to 180°C
Gasket seal	:	PTFE
Nominal pressure	:	280kg/cm <sup>2</sup>

## DIMENSIONS – STANDARD VERSION



A	B	C	D	L	H	Weight in gram (With Box)
55	78	98	45	90	27	460

## HOW TO ORDER

### BASIC MODEL

BCC

### TYPE

G8

G8 2WAY -ROUND BAR

### BODY

AF1

AF1 CARBON STEEL  
 AF2 AISI 304 SS  
 AF3 AISI 316 SS

### SIZE & END CONNECTION [INLET x OUTLET]

AG1

AG1 1/4"(FxF)	AG2 1/2"(FxF)
AG3 1/4"(MxF)	AG4 1/2"(MxF)
AG5 1/4"(MxM)	AG6 1/2"(MxM)
AG7 3/8"(FxF)	
AG8 3/8"(MxF)	
AG9 3/8"(MxM)	

IN CASE OF 3 WAY NEEDLE VALVE , ONE CONNECTION WILL BE MALE & ANOTHER TWO WILL BE FEMALE  
 EXAMPLE : AG4 1/2"(MxF)MEANS 1/2"(MxFxF)

### THREAD TYPE

AH1

AH1 BSP  
 AH2 NPT

### OPTIONS

K5

FOR NON STANDARD PRODUCTS/OPTIONAL ITEMS,PLEASE CONTACT FACTORY FOR DELIVERY AND MINIMUM QUANTITY OF ORDER.

K5 MATERIALTESTCERTIFICATE  
 K6 VENTHOLE

### Ordering Example:

**BCC-G8-AF1-AG1-AH1-K5**

Notes: • Due to continuous improvement, the specification may vary from time to time.