

OVERLOAD PROTECTOR

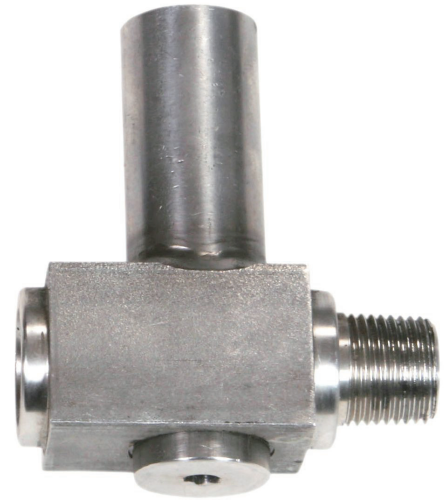
BCC

ALL STAINLESS STEEL



SPECIAL FEATURES

THESE ARE DESIGNED TO PROTECT PRESSURE INSTRUMENTS FROM OVER PRESSURE EXCEEDING THE SPECIFIED PRESSURE RANGE BY SUDDEN & EXCESSIVE PRESSURE FLUCTUATION FROM SURGE OR SPIKE. THIS DEVICE BLOCKS THE HIGHER PRESSURE EXCEEDING THE ALLOWED VALUE, UNTIL IT COMES BACK TO NORMAL, WHEN SYSTEM PRESSURE BECOMES NORMAL, HENCE THIS DEVICE SAFEGUARDS THE PRESSURE INSTRUMENT, GAUGES, SWITCHES OR TRANSMITTERS BY BLOCKING EXTRA HIGH PRESSURE.

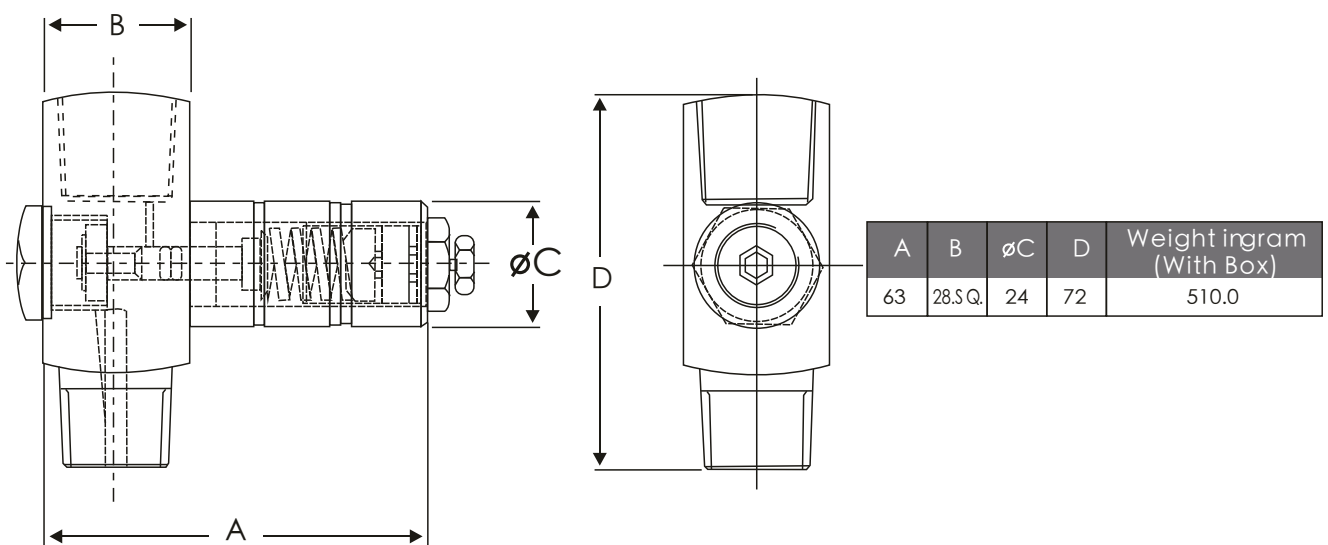


SPECIFICATIONS

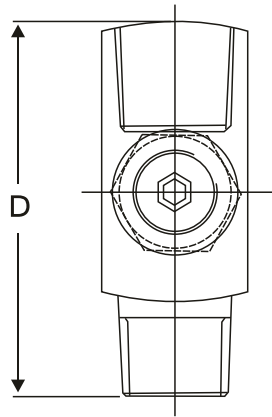
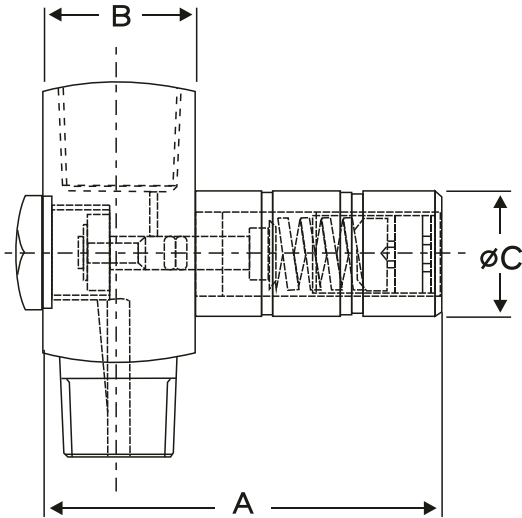
Setting Range	:	1.0 to 400 bar
Reset Value	:	-30% of set value
'O'Ring	:	Viton
Maximum Working pressure	:	500 bar
Operating Temperature	:	-20°C to 400°C
Material of construction	:	AISI 316 SS

DIMENSIONS – STANDARD VERSION

DRAWING -A



DRAWING -B



A	B	ϕC	D	Weight in gram (With Box)
73	2&SQ.	24	72	470.0

Notes: • Drawings are not to scale. • All Dimensions are in mm. • NS=Nominal Sizes.

HOW TO ORDER

BASIC MODEL

FOR NON STANDARD PRODUCTS/OPTIONAL ITEMS, PLEASE CONTACT FACTORY FOR DELIVERY AND MINIMUM QUANTITY OF ORDER.

PROCESS CONNECTION

J1	1/4"BSP(MxF)	J2	3/8"NPT(MxF)
J3	1/4"NPT(MxF)	J3	1/2"BSP(MxF)
J5	1/4"NPT(MxF)	J6	1/2"NPT(MxF)

Note: Connections like PT/PF/Flaired/UNF/G/R etc.can be provided.
Non standard connections can be provided through adaptors.

RANGE SETTING

RANGE(bar)	DRAWING NO	RANGE(bar)	DRAWING NO
1	A	100/150	B
1.6	A	150/200	B
2.5	B	200/250	B
4	B	250/300	B
6/10	B	300/350	B
10/16	B	350/400	B
20/40	B		
60/100	B		

Note: Specify range or range of setting

OPTIONS

K1	MONEL WETTED PARTS
K2	OXYGEN SERVICE

Ordering Example:

BCD-J1-1OR150/200-K1

Notes: • Due to continuous improvement, the specification may vary from time to time.

BCD

J1

1
OR
150/200

K1