

SS CASE PRESSURE GAUGE

DIAPHRAGM TYPE

BBM



SPECIAL FEATURES

- STAINLESS STEEL CASE
- SUITABLE FOR GASEOUS & LIQUID MEDIA
- RANGES FROM -1 TO 25kg/CM²
- STANDARD FOLLOWED IN GENERAL EN 837-1



ALL SS PRESS

CHEMICALS/REFINERY/FERTILIZER/PETROCHEMICALS

PHARMACEUTICAL/POWER/CEMENT/SUGAR/FOOD & BEVERAGES/

PULP & PAPER & ALLIED PROCESS INDUSTRIES.

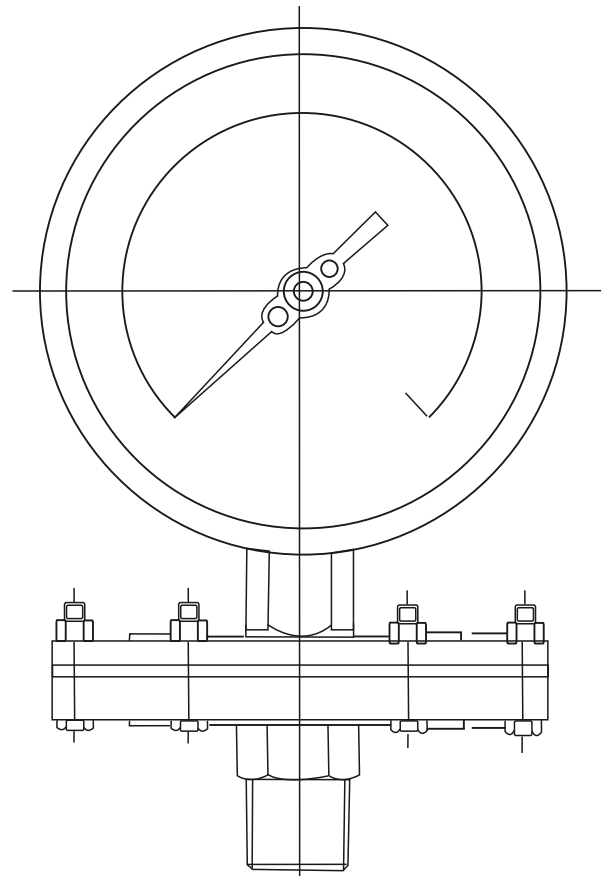
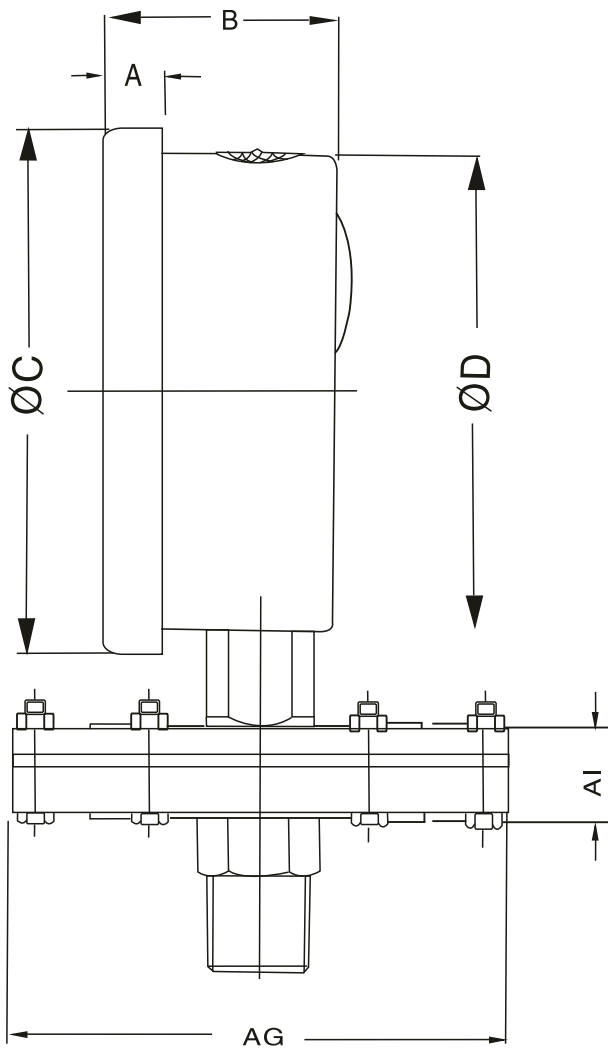
SPECIFICATIONS

STANDARD VERSION:100mm,150mm

| | |
|---------------------|--------------------------|
| Accuracy | : ±1.6%Of F.S. |
| Ambient temperature | : -25Cto+65°C |
| Process temperature | : Max 120°C |
| Operating pressure | : 75% of the Range Value |
| Over pressure limit | : 130% of Full Scale |

| | |
|----------------|----------------------------|
| Case | : AIS I304 SS |
| Ring | : AIS I304 SS, |
| Top Chamber | : AISI 304 SS Bayonet Type |
| Bottom Chamber | : AIS I316 SS |
| Movement | : AISI304 SS |
| Diaphragm | : AISI 316L SS |

| | |
|---------------|---|
| Protection | : IP65 |
| Dial | : Aluminium,blackgradation on white background |
| Pointer | : Aluminium,black coloured,micrometer zero adjustable |
| Window | : Sheet Glass |
| Blow off Disc | : Neoprene |
| Gasket | : Neoprene |



| NS | A | B | ØC | ØD | AG | AI | Weiggt ub gram (With Box) |
|-----|------|----|-----|-----|-----|----|------------------------------|
| 100 | 12.5 | 48 | 110 | 100 | 120 | 19 | 1560.0 |
| 150 | 16 | 49 | 161 | 149 | 120 | 19 | 2020.0 |

Notes: • Drawings are not to scale. All Dimensions are in mm. • NS=Nominal Size

RANGE TABLE

Note: MIX offers National/International Scales like kPa, MPa, bar, psi, kg/cm² & Dual Scale like KPa with psi, KPa with bar, bar with psi or Equivalent scales as per the requirement can be provided on request.

Following are the example tables for kg/cm² & psi scales

PRESSURE RANGE

| SINGLE SCALE (kg/cm ² or bar) | | | | | |
|--|--------------------|-------|--------------------|-------|--------------------|
| 0/0.6 | 0/1 | 0/2.5 | 0/6 | 0/16 | |
| | 0/1.6 | 0/4 | 0/10 | 0/25 | |
| DUAL SCALE PSI Wth kg/cm ² or wit PSI | | | | | |
| PSI | kg/cm ² | PSI | kg/cm ² | PSI | kg/cm ² |
| 0/15 | 1 | 0/60 | 4 | 0/200 | 14 |
| 0/30 | 2 | 0/100 | 7 | 0/300 | 21 |
| 0/50 | 3.5 | 0/150 | 10 | 0/350 | 25 |

VACUUM & COMPOUND RANGE

| SINGLE SCALE -kgcm ² | | | | | |
|---------------------------------|-----------------------|---------------|-----------------------|---------------|-----------------------|
| -1/0.6 | -1/1.5 | -1/3 | -1/5 | -1/9 | |
| -1/15 | -1/24 | | | | |
| SINGLE SCALE -kgcm ² | | | | | |
| inHg with PSI | mmHg with with kg/cm2 | inHg with PSI | mmHg with with kg/cm2 | inHg with PSI | mmHg with with kg/cm2 |
| -30/0 | -760/0 | -30/60 | -760/3 | -30/200 | -760/15 |
| -30/15 | -760/1 | -30/100 | -760/6 | -30/300 | -760/20 |
| -30/30 | -760/2 | -30/150 | -760/9 | -30/340 | -760/240 |

ACCESSORIES †

| | |
|----------------|------------|
| EC GAUGE COCK | EG SNUBBBR |
| * NEEDLE VALVE | EH SIPHON |

*Refer Datasheet for complete specifications

*Refer catalogue for Valves & Manifolds

HOW TO ORDER

BASIC MODEL

CODE

NOMINAL SIZE(mm)

D

100mm

F

150mm

TYPE OF MOUNTING

A1 DIRECT BOTTOM ENTRY

GAUGE CONNECTION

B12 3/8"BSPT(M)

B15 1/2"BSPT(M)

B13 1/2"NPT(M)STANDARD

B19 M20*1.5(M)

B9 3/8"BSP (M)STANDARD

B14 3/8"BSPT(U)

B10 1/2"BSP(M)STANDARD

- Note:**
- Connections like PT/PF/Flairde /UNF/G/R eac.can be orivuded on request.
 - Non standard connections can be provided through adaptors.
 - Flaged Connections as per BS/ANSI/DIN etc standards with or without teflon protection can be provided on request.
 - For Flanged Connections refer table

RANGE

REFER TABLES

OPTIONS

FOR NON STANDARD PRODUCTS/OPTIONAL ITEMS, PLEASE CONTACT FACTORY FOR DELIVERY AND MINMUM QUANTITY OF ORDER.

- C1 FIVE POINT CALIBRATION CERTIFICATE
- C3 CUSTOM DESIGNED DIAL
- C16 SHATTERPROOF/SAFETY GLASS
- C19 TOUGHENED GLASS
- C35 DIAL TAG MARKING
- C9 SSTAG PLATE
- C53 SILVER PROTECTIN ON DIAPHRAGM
- C54 MONEL PROTECTION ON DIAPHRAGM
- C55 HASTELLOY 'C' PROTECTION ON DIAPHRAGM
- C56 PTFE PROTECTION ON WETTED PORTATION
- C12 AISI 316SS CASE & BEZEL
- C57 PTFE PRO TECTION ON DIAPHRAGM
- C58 TOP CHAMBER IN AISI 316SS
- C59 2" PIPE MOUNTING FOR BOTTOM MOUNTING GAUGES
- C60 PTFE GASKET UPTO 200°C

Ordering Example:

BBM-F-A1-B12-0/10kg/cm²-C1

ELECTRIC CONTACTS

(WITH IP PROTECTION UPTO IP55)

INDUCTIVE TYPE (220V AC, 0.4 Amp.)

- C10 Single;NORMALLY OPEN
- C11 Single;NORMALLY CLOSED
- C12 Double;NORMALLY CLOSED+NORMALLY OPEN
- C13 Double;NORMALLY OPEN
- C14 Double;NORMALLY CLOSED
- C15 Double;NORMALLY OPEN+NORMALLY CLOSED

Note: ● Due to continuous improvement, th~specification may vary from time to time.

BBM

F

A1

B12

0-10
kg/cm²

C1