

GAUGE COCK

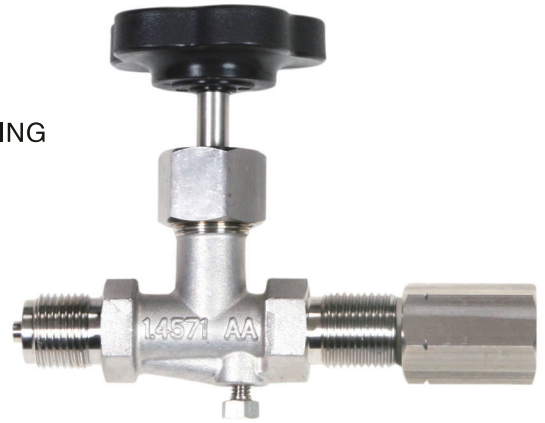
BCD

ALL STAINLESS STEEL



SPECIAL FEATURES

- PTFE ADJUSTABLE PACKING INSTALLED BELOW OPERATING THREADS TO PREVENT MEDIA CONTAMINATION OR LUBRICANT WASHOUT OF OPERATING THREADS
- SPINDLE FOR LONGER DURABLE OPERATION

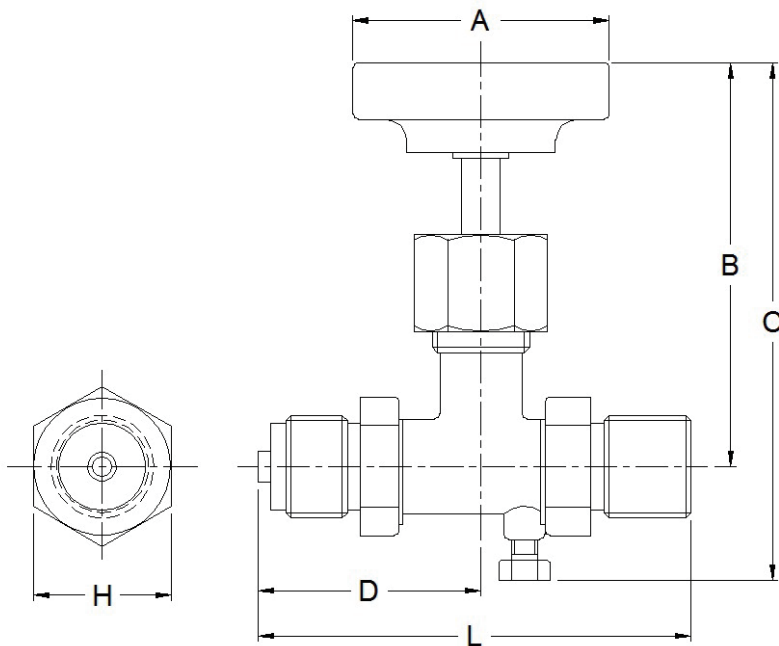


SPECIFICATIONS

STANDARD VERSION

Body	:	AISI 316 SS
Handle	:	AISI 316 SS
Working Temperature	:	Up to 180°C
Gasket seal	:	PTFE
Nominal pressure	:	280kg/cm ²

DIMENSIONS – STANDARD VERSION



A	B	C	D	L	H	Weight in gram (With Box)
55	78	98	45	90	27	460

HOW TO ORDER

BASIC MODEL

TYPE

G8 2WAY -ROUND BAR

BCC

G8

BODY

AF1 CARBON STEEL

AF2 AISI 304 SS

AF3 AISI 316 SS

AF1

SIZE & END CONNECTION [INLET x OUTLET]

AG1 1/4"(FxF) AG2 1/2"(FxF)

AG3 1/4"(MxF) AG4 1/2"(MxF)

AG5 1/4"(MxM) AG6 1/2"(MxM)

AG7 3/8"(FxF)

AG8 3/8"(MxF)

AG9 3/8"(MxM)

AG1

IN CASE OF 3 WAY NEEDLE VALVE , ONE CONNECTION WILL BE MALE & ANOTHER TWO WILL BE FEMALE

EXAMPLE : AG4 1/2"(MxF)MEANS 1/2"(MxFxF)

THREAD TYPE

AH1 BSP

AH2 NPT

AH1

OPTIONS

FOR NON STANDARD PRODUCTS/OPTIONAL ITEMS,PLEASE CONTACT FACTORY FOR DELIVERY AND MINIMUM QUANTITY OF ORDER.

K5 MATERIALTESTCERTIFICATE

K6 VENTHOLE

K5

Ordering Example:

BCC-G8-AF1-AG1-AH1-K5

Notes: • Due to continuous improvement, the specification may vary from time to time.

